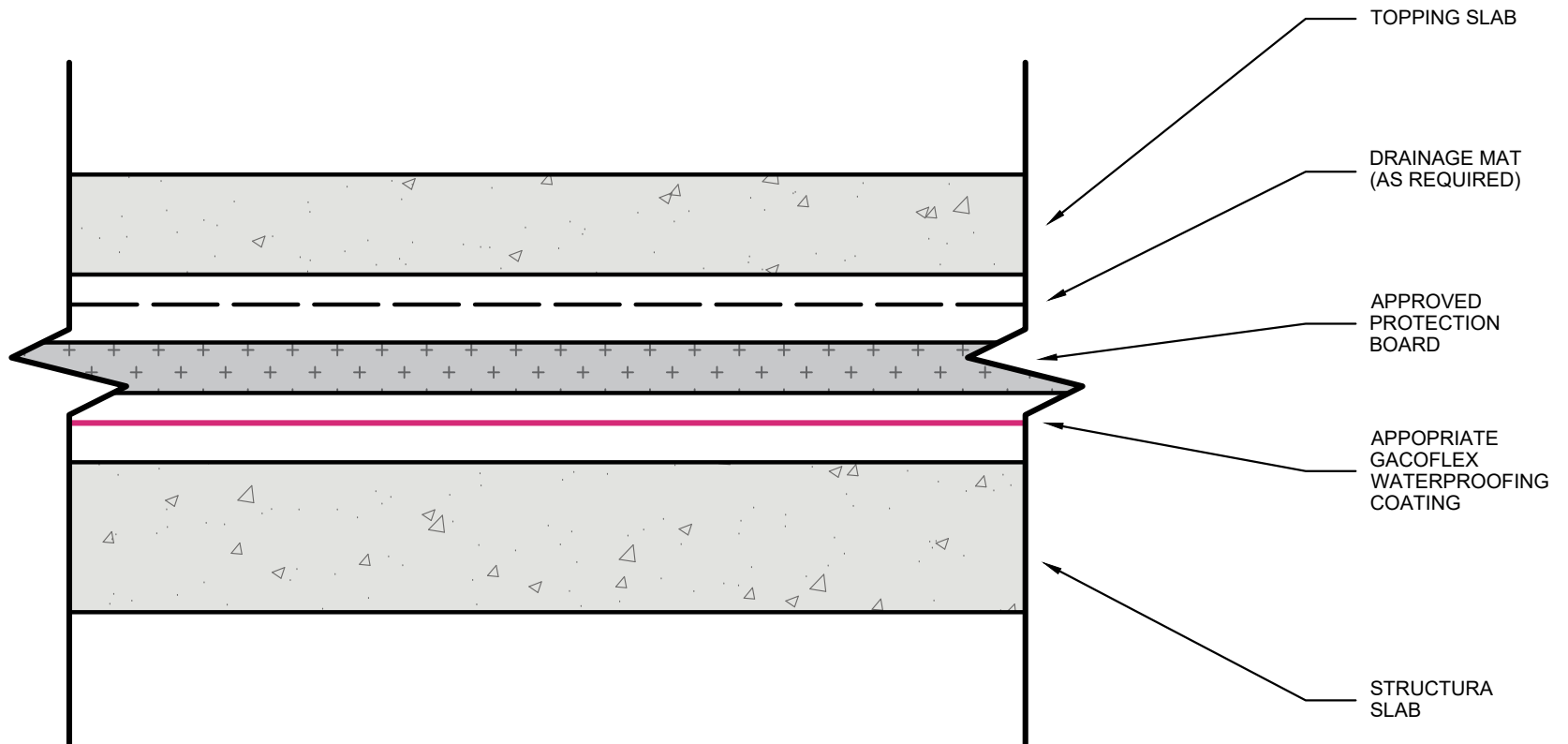


NOTE:

1. FOR GENERAL REFERENCE ONLY – NOT INTENDED FOR PROJECT-SPECIFIC USE OR TO FULLY DEFINE A WARRANTY ELIGIBLE APPLICATION.
2. REFER TO LATEST REVISION OF APPROPRIATE APPLICATION SPECIFICATIONS, PRODUCT DATA SHEETS AND GENERAL INSTRUCTIONS FOR ADDITIONAL REQUIREMENTS.
3. NON-GACO ROOFING COMPONENTS AND HARDWARE ARE DEPICTED FOR CONTEXT-ONLY – NOT INTENDED AS A STATEMENT OF SPECIFICATION.
4. CENTER ON NON-MOVING CRACK.



Gaco™

**BELOW GRADE APPLICATION –
BETWEEN SLAB**

MAXIMUM WARRANTY TERM:
REFER TO APPROPRIATE APPLICATION SPECIFICATIONS

**GACOFLEX™ COATING
SOLUTIONS CATEGORY:**

DECKING &
WATERPROOFING (DWP)

**COMPATIBLE
SUBSTRATE TYPES:**

REFER TO APPROPRIATE
APPLICATION SPECIFICATIONS

**REVISION
DATE:**
01/14/2022

DETAIL NO.
GA-DWP-M-3

ADDITIONAL TECHNICAL DOCUMENTATION AVAILABLE AT GACO.COM | CUSTOMER SERVICE - PHONE: (800) 331-0196 / EMAIL: CUSTOMERSERVICE@GACO.COM

NOT TO SCALE