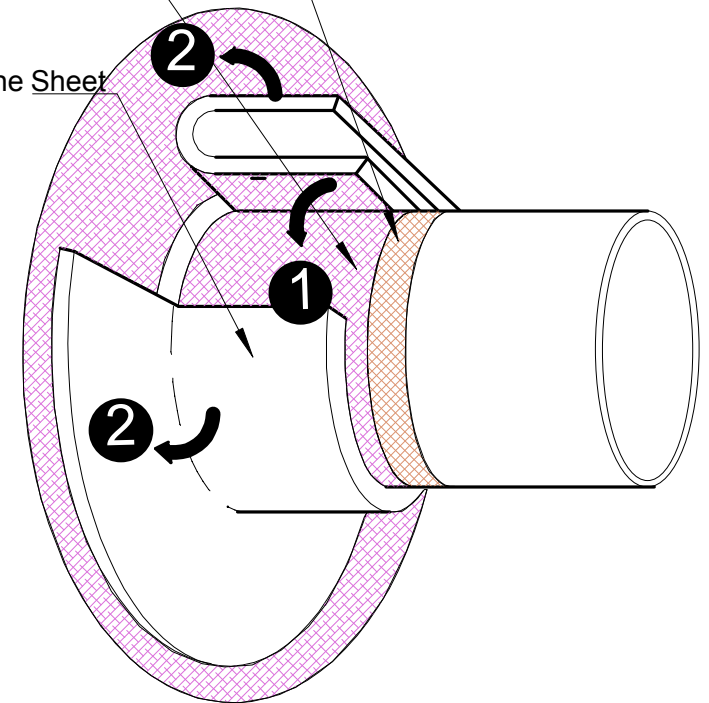


GacoFlex E-5320 Primer

GacoFlex Adhesive N-1207

GacoFlex Neoprene Sheet NF-621



- 1** Wrap Doubled Neoprene Around Penetration
- 2** Stretch Neoprene Sheet Base Flange Down on Substrate

The pipe must be mechanically abraded prior to application of primer!

Gaco Western

TITLE

Pipe Penetration Detail

SIZE

A4

CAGE CODE

DWG NO

GW-PPD-03

REV

SCALE

SHEET